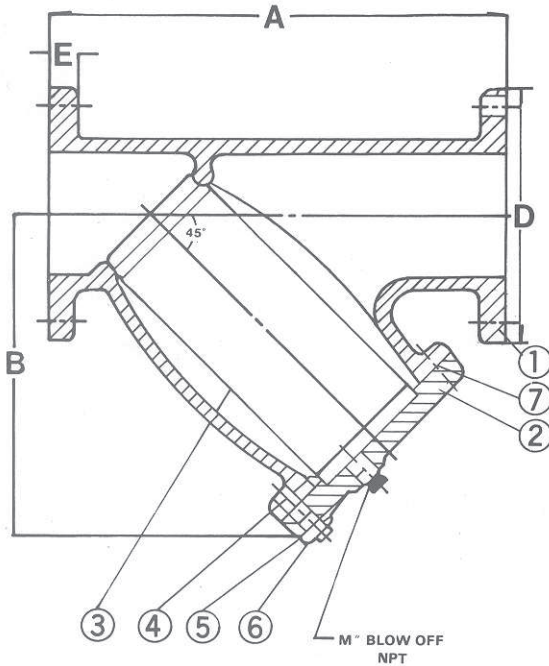


# 754-A

## CLASS 125S IRON BODY "Y" TYPE STRAINERS

125 PSI Steam to 450°F or 232°C  
200 PSI Non-Shock Cold Water, Oil, or Gas to  
-20°F to 150°F or -29°C to 66°C



### MATERIAL LIST

Item	Part Description	Material	Specification
1	Body	Cast Iron	ASTM A-126-B
2	Cover	Cast Iron	ASTM A-126-B
3	Screen	Stainless Steel	304 SS
4	Cover Stud Bolt	Steel	ASTM A-307
5	Cover Stud Bolt Nut	Steel	ASTM A-307
6	Plug	Malleable Iron	ASTM A-197
7	Gasket	Asbestos Joint Sheet	

### DIMENSIONS—WEIGHTS

Nominal Size	Dimensions in Inches					Approx. Net Wt (Lbs)	Screen Openings
	A	B	D	E	M" NPT		
2	9 $\frac{7}{8}$	6 $\frac{5}{8}$	6	$\frac{5}{8}$	$\frac{1}{2}$	23	.045
2 $\frac{1}{2}$	11 $\frac{1}{4}$	7 $\frac{5}{8}$	7	$\frac{1}{2}$	1	36	.045
3	12 $\frac{1}{2}$	8 $\frac{1}{4}$	7 $\frac{1}{2}$	$\frac{3}{4}$	1	44	.045
4	14 $\frac{7}{8}$	10	9	$\frac{15}{16}$	1 $\frac{1}{4}$	78	.125
5	17 $\frac{15}{16}$	12 $\frac{1}{2}$	10	$\frac{15}{16}$	1 $\frac{1}{4}$	110	.125
6	20 $\frac{3}{8}$	14 $\frac{5}{8}$	11	1	1 $\frac{1}{2}$	147	.125
8	24	17 $\frac{7}{8}$	13 $\frac{1}{2}$	1 $\frac{1}{8}$	1 $\frac{1}{2}$	238	.125
10	29 $\frac{1}{2}$	20 $\frac{7}{8}$	16	1 $\frac{1}{8}$	2	414	.125
12	33 $\frac{3}{4}$	23 $\frac{3}{8}$	19	1 $\frac{1}{4}$	2	590	.125

- Y pattern Body
- Bolted end cap
- Tested to 350 PSI

**EA**  
**EVER METAL INDUSTRY CO., LTD.**

Office: 152, Min Sheng West Rd. Taipei, Taiwan, R. O. C.  
Tel: 5518682 • 5412643 • 5416134 • 5415767  
Factory: 853, Kwang Fu Road, Pai Lu Village, Pa Teh Hsiang, Tao Yuan Hsien,  
Taiwan, R.O.C. Tel: (03) 3662411 (3 lines)  
Telex: "32542 EVER" FAX: (03) 3678974