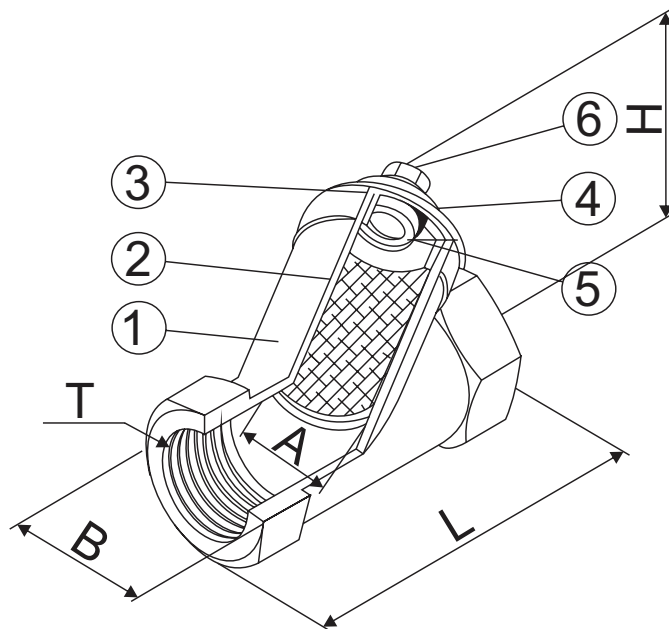


STAINLESS STEEL Y-STRAINER SCREWED END 800 PSI



Material List

NO.	Part Name	Material	QTY
1	Body	ASTM A 351 GR. CF8M	1
2	Screen	SS 316 12 MESH	1
3	Gasket	TEFLON	1
4	Bonnet	ASTM A 351 GR. CF8M	1
5	O-Ring	VITON	1
6	Blow Off	ASTM A 351 GR. CF8M	1

Dimensions

Size	A	B	L	H	T
1/2"	15	26	65	51	1/2" BSP,NPT
3/4"	20	33	80	60	3/4" BSP,NPT
1"	25	41	90	72	1" BSP,NPT
1 1/4"	32	49	105	77	1 1/4" BSP,NPT
1 1/2"	40	56	120	87	1 1/2" BSP,NPT
2"	50	69	140	103	2" BSP,NPT

Description

- Connecting Threads:
ANSI B2.1
DIN Bs21
- Working Pressure: 800lb
- Body: Stainless Steel 316
- Y Type
- Screw - In Cap

CE
PED 97/23/EC

