



CLOW

Pillar Type Wet Barrel Fire Hydrant CLOW MODEL 860

Clow Fire hydrants have been used in fire protection for over 150 years. Clow Valve Company has established itself as a leader in the industry with manufacturing dating back to 1878. Today Clow Valve is a division of McWane Inc. which is the largest manufacturer of Fire hydrants in USA.

Wet barrel hydrants serve a unique place in the overall hydrant market and McWane Clow Valve brings you a complete line of two- and three-outlet wet barrel hydrants with performance, reliability and durability.



SPECIFICATIONS

Size: Flanged 6"

Working Pressure: 200 PSIG

UL Listed and FM approved.

Meets or exceeds AWWA C 503 standards

Meeting NFPA connection requirements

Ductile Iron Barrels with Bronze Nozzles

Coating: Internal Fusion Bonded Epoxy NSF and external Polyester powder coat

Models

860 : 2 Hose Nozzle and 1 Pumper nozzle
: 2 X 2 1/2" and 1 x 4" or 4 1/2"

Other Configurations

865 : 1 X 2 1/2" and 2 x 4" or 4 1/2"

860 M : 2 X 2 1/2" and 1 x 4" or 4 1/2" with Monitor Flange

850 : 1 X 2 1/2" and 1 x 4" or 4 1/2"

Hose Outlets

Standard : 2 1/2" NST Threaded Hose connection

Options : BS 336 Instantaneous couplings, Screw on Gate valves

Pumper Nozzle:

Standard: 4" or 4 1/2" NST Threaded

Storz outlet 5" optional

Connections

Standard : 6" ANSI 150 / DN 150 PN 16 FF

6 Holes & 8 Holes Option Available

Option : 8" ANSI 150 (Model 980 /985)

Test Pressure

Seat Test : 400 PSI

Body Hydraulic : 400 PSI

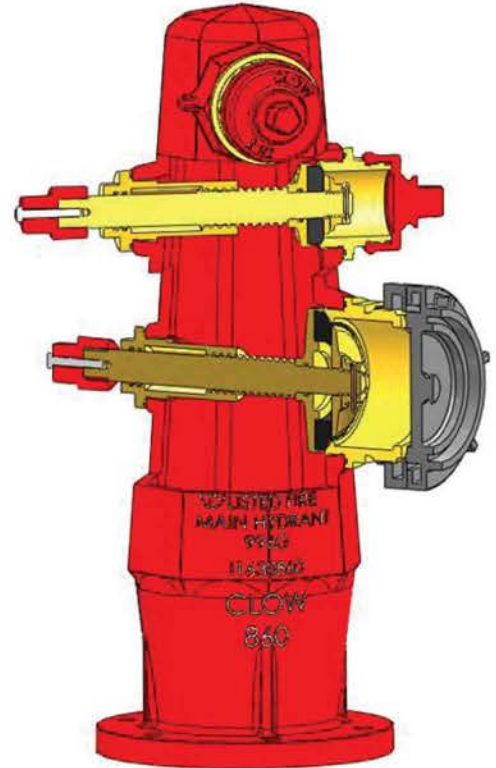
Remarks: Recommended to use with optional Break off check valve assembly Model 400A

Options are limited to UL/FM models. Please check with us prior to ordering.



CLOW MODEL 860 FEATURES

- Clow 800 Hydrant shall be manufactured in accordance with AWWA Standard C503.
- Hydrants are listed by UL and is approved by FM
- Hydrants shall feature independently valved ports. The working parts shall be engineered to function as a unit and to give trouble-free service.
- All hydrants shall be permanently marked to identify the model number of the hydrant, the manufacturer and the year in which the hydrant was manufactured.
- Hydrant barrel shall be Ductile Iron. Protector caps shall be grey cast iron unless otherwise specified by the purchaser. They shall be securely chained to the hydrant barrel end furnished (with or without) an inner gasket. Also available in copper alloy and plastic caps.
- All fire hydrants have removable outlets for ease of maintenance
- Field serviceable
- Hydrants available in two or three way models
- Iron, plastic or copper alloy caps option available
- National standard threads per National Fire Protection Association (NFPA)
- Better flow rates than AWWA 503 requirement, Details on request
- Interior fusion bonded NSF approved epoxy powder coating to meet AWWA C550
- Optional trim for salt water application on request
- Warranty up to 10 years on standard design on request



We also manufacture Full bronze fire hydrants (Model #2000) for high salinity sea water. These models are available with FM certifications .Our Wet barrel range also includes 8" ANSI 150 inlet model (Series #980) which is the only 8" size UL/FM approved wet barrel available in the market.

OPTIONS

CLOW BREAK OFF CHECK VALVE MODEL # 400A

We recommend the use of break off check valve with wet barrel fire hydrant to avoid the loss of water in case of breakage of hydrant due to any accidents.

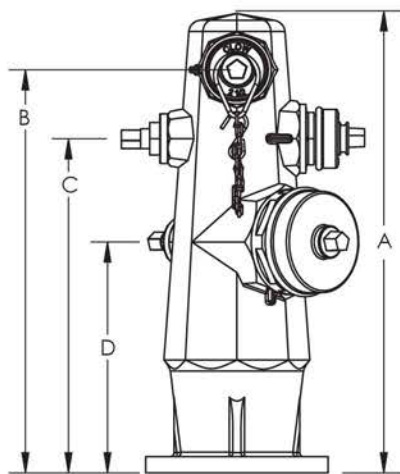
The hydrant break-off check valve shuts off the flow of water automatically and instantaneously when a hydrant is broke off. This saves water and prevents damage to property. Its especially recommended for hydrants on heavily traveled streets and highways or hydrants in hazardous locations.

Conservation sensitive areas will also recognize the opportunity to reduce water losses by specifying the Clow LB400 break-off check valve.

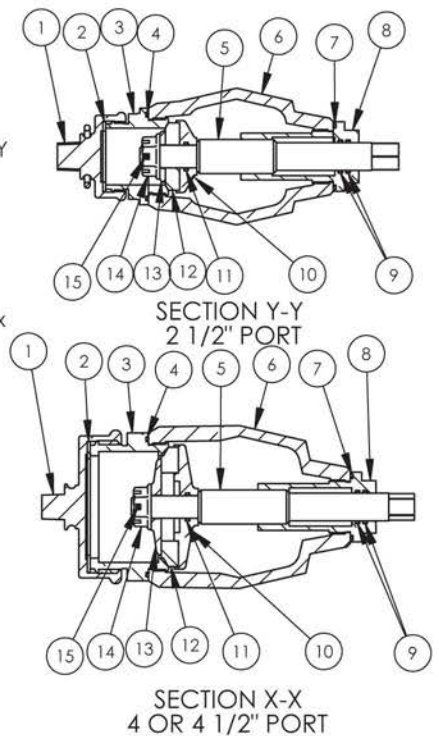
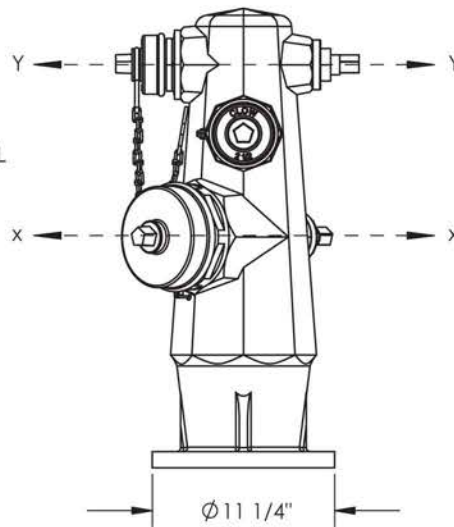


CLOW MODEL 860 DIMENSIONS AND PART LIST

MODELS 810, 850, 860, & 865



MODEL 860



DIMENSIONAL DATA

Model	Outlets		A	B ^{3/8}	C	D	Weight
860	2H X 1P	Inch	28 ^{3/8} "	24 ^{3/8} "	20 ^{3/8} "	14 ^{1/4} "	140 lbs
		MM	721	632	524	362	64 kg
865	1H X 2P	Inch	30 ^{3/8} "	26 ^{3/8} "	21"	14 ^{1/4} "	150 lbs
		MM	772	683	553	362	68 kg
850	1H X 1P	Inch	22"	18 ^{1/2} "	-	14"	115 lbs
		MM	559	470	-	356	52 kg

(H: Hose outlet 2^{1/2}", P: Pumper outlet 4" / 4^{1/2}")

Standard Drilling ANSI 150 / PN 16. Contact us for other drilling options and NPT connections.

PART LIST

ITEM	DESCRIPTION	MATERIAL	ASTM SPEC.
1	Outlet Nozzle Cap	Gray Iron	ASTM A126 CI B
2	Outlet Nozzle Gasket	Rubber	Buna N
3	Hose Outlet Nozzle or Pumper Outlet Nozzle	Copper Alloy	ASTM B584 C83600
4	Nozzle O-Ring	Rubber	Buna N
5	Stem	Copper Alloy	ASTM B763 C99500
6	Body / Barrel	Ductile Iron	ASTM A536 65-45-12
7	Stuffing Box O-Ring	Rubber	Buna N
8	Stuffing Box	Copper Alloy	ASTM B584 C83600
9	Stuffing Box O-Ring	Rubber	Buna N
10	Valve Carrier	Copper Alloy	ASTM B584 C83600
11	Carrier O-Ring	Rubber	Buna N
12	Valve Washer	Rubber	Urethane
13	Valve Retainer	Copper Alloy	ASTM B763 C99500
14	Retaining Nut	Copper Alloy	ASTM B584 C83600
15	Cotter Pin	Copper Alloy	ASTM B 783 C99500
16	Chain Assembly	Steel	Zinc Plated

CLOW WET BARREL OPTIONS

Clow manufactures a wide range of wet barrel fire hydrants exceeding industry and operator expectations



Bronze Body FM
Model # 2050 & 2060



UL/FM
Model # 980






UL/FM
Model #860
with Monitor Flange






UL/FM
Model # 850 & 860

Clow Valve Company is an ISO 9001 approved organization and division of McWane Inc. which is committed to protecting our natural resources through environmentally responsible manufacturing practices including the use of 80% recycled content in our valves and hydrants.

OPTIONAL EXTRAS FOR HOSE OUTLET

	NST Screwed in Gate Valve 2 1/2" Cast Iron Body
	BS336 Instantaneous Coupling 2 1/2" Copper Alloy
	BS336 Gate valve with Instantaneous Coupling 2 1/2" Copper Alloy

ACCESSORIES FOR MAIN LINE

	Break Off Check valve Model 400A 6" 250 PSI CI / DI Body
	UL/FM Isolation Gate Valves 3" to 12" 250 PSI CI / DI Body
	UL/FM Check Valves 3" to 12" 250 PSI CI /DI Body



www.mcwaneinternational.com

McWane International, 1201 Vanderbilt Road, Birmingham AL 35234, USA,
Ph.: 205-716-6600, Fax: 205-324-7250, email: inquiries@mcwaneintl.com

Clow Valve:
902 South Second Street Oskaloosa, IA 52577 USA

M & H Valve:
605 West 23rd Street Anniston, AL 36201 USA

Kennedy Valve:
1021 East Water Street Elmira, NY 14902 USA

McWane International FZE
P O Box 263362, Jebel Ali, Dubai UAE