



**Description & Features:**

- Widely specified in the industrial and commercial plumbing trade
- Includes a separable brass or lead free brass thermowell
- 3.5" (90mm) and 6" (150mm) stem
- Available in aluminum or Valox® (9") case
- Organic filled tube (magnifying)
- Dual scale (°F & °C)
- Adjustable angle connection and 360° case rotation for easy installation
- Graphite filled bulb chamber for maximum heat conduction
- ASME B40.200 compliant
- CAN/CGSB-14.4-M88 compliant
- ±1% accuracy
- 5 year warranty

**Applications:**

- New construction, plumbing, water lines, boilers, heating, ventilation and air conditioning



Note: RoHS applies only to 304 SS and 316 SS thermowells

**Specifications**

<b>Scale</b>	9" (230mm) aluminum or Valox® case, impact resistant
<b>Lens</b>	Glass
<b>Connection</b>	3/4" NPT with thermowell 1 1/4" - 18 UNF swivel nut (no thermowell)
<b>Scales</b>	Aluminum, painted white with black markings
<b>Bulb Chamber</b>	Tapered cast aluminum with graphite fill
<b>Tube and Sensing Liquid</b>	Glass (magnifying), organic fluid
<b>Adjustment</b>	Fully adjustable
<b>Thermowell</b>	TIM: 3/4" Brass, separable socket (SS optional) TIM-LF: 3/4" Lead free brass, separable socket
<b>Accuracy</b>	±1%
<b>Enclosure Rating</b>	IP54

Note: For an Industrial Thermowell, please refer to the Industrial Thermowell product page

**TIM Order Codes (products in bold are normally stock in North America)**

Stem	Aluminum Case		Valox® Case	
	3.5" (90mm)	6" (150mm)	3.5" (90mm)	6" (150mm)
-40°F to 110°F & -40°C to 40°C	<b>TIM101A</b>	TIM101-6A	<b>TIM101</b>	TIM101-6
0°F to 120°F & -15°C to 50°C	<b>TIM102A</b>	<b>TIM102-6A</b>	<b>TIM102</b>	TIM102-6
0°F to 160°F & -15°C to 70°C	<b>TIM103A</b>	TIM103-6A	<b>TIM103</b>	TIM103-6
30°F to 180°F & 0°C to 80°C	<b>TIM104A</b>	<b>TIM104-6A</b>	<b>TIM104</b>	TIM104-6
30°F to 240°F & 0°C to 115°C	<b>TIM100A</b>	<b>TIM100-6A</b>	<b>TIM100</b>	<b>TIM100-6</b>
30°F to 300°F & 0°C to 150°C	<b>TIM105A</b>	TIM105-6A	<b>TIM105</b>	TIM105-6

Other ranges and connection sizes available upon request. Duct flange available upon request. Union connection available upon request.

Valox® is a registered trademark of the General Electric Company

### TIM-LF Order Codes (products in bold are normally stock in North America)

Stem	Aluminum Case		Valox® Case	
	3.5" (90mm)	6" (150mm)	3.5" (90mm)	6" (150mm)
-40°F to 110°F & -40°C to 40°C	<b>TIM101ALF</b>	TIM101-6ALF	<b>TIM101LF</b>	TIM101-6LF
0°F to 120°F & -15°C to 50°C	<b>TIM102ALF</b>	TIM102-6ALF	<b>TIM102LF</b>	TIM102-6LF
0°F to 160°F & -15°C to 70°C	<b>TIM103ALF</b>	TIM103-6ALF	<b>TIM103LF</b>	TIM103-6LF
30°F to 180°F & 0°C to 80°C	<b>TIM104ALF</b>	TIM104-6ALF	<b>TIM104LF</b>	TIM104-6LF
30°F to 240°F & 0°C to 115°C	<b>TIM100ALF</b>	TIM100-6ALF	<b>TIM100LF</b>	TIM100-6LF
30°F to 300°F & 0°C to 150°C	<b>TIM105ALF</b>	TIM105-6ALF	<b>TIM105LF</b>	TIM105-6LF

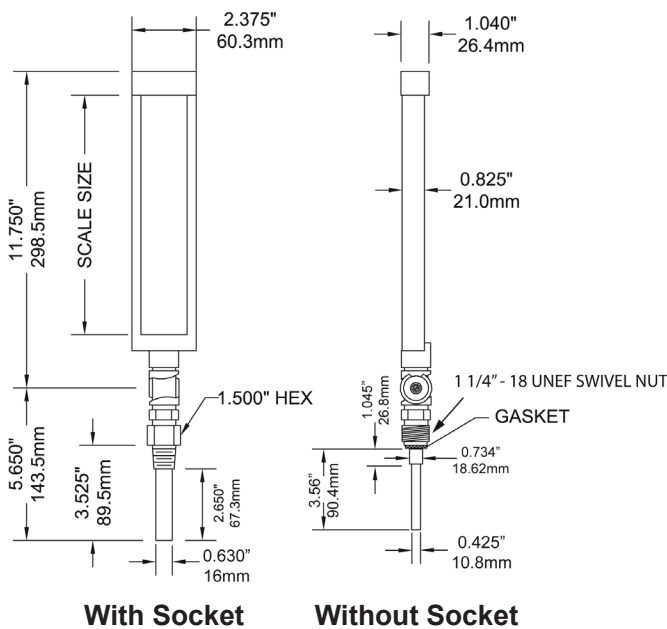
Other ranges available upon request.

Valox® is a registered trademark of the General Electric Company

### TIW-LF Thermowell Order Codes (products in bold are normally stock in North America)

Stem Length	Overall Length	Material	Insertion Length	3/4" NPT Connection
<b>3.5" Without Lagging</b>	4.25" (108mm)	Lead Free Brass	2.5" (63mm)	<b>TIW01LF</b>
<b>6" Without Lagging</b>	6.75" (172mm)	Lead Free Brass	5" (127mm)	TIW04LF

#### 3.5" Stem



#### 6" Stem

