

# T-100-SS-N



## System-6® Ball Valve



LP GAS



FIRE PROTECTION



C 125 G 1/2"-3"

ISO EN 9001:2000



T-100-SS-N

### Description

System 6® SuperBall™ - 1/4 turn, lever operated, hot forged brass ball valve with 316 stainless steel ball and stem. 100% full port. Blow-out proof two-piece design. Made in Italy. 100% tested.

### Features

- 2 Viton® Stem O-rings
- Hostafion® TFM-1600 Packing and Seats
- Stainless steel ball and stem
- TEA coated body
- 100% Full Port
- NPT connections

### Approvals

- UL Listed VQGU, MHKZ, YQNZ, YRBX, YRPV, YSDT, UL 842
- FM approval
- CSA Certified

### Accessories

- "Lift-N-Lock" locking device
- 2" Handle extension
- Lever and Round 304 stainless steel handles
- "Slo-Ball" Handle (for metering under high pressures)
- Red Painted Aluminum "T" Handle
- Pneumatic & Electric Actuation Available upon request

### Warranty

The Company, for a period of one year from the date of shipment, warrants each product or system of its own manufacture to the original purchaser to be free from defects in material and workmanship under normal use, service and maintenance.

#### Architect/Engineer approval

Job Name \_\_\_\_\_ Date \_\_\_\_\_  
Model Specified \_\_\_\_\_ Quantity \_\_\_\_\_  
Variations Specified \_\_\_\_\_  
Customer/Wholesaler \_\_\_\_\_  
Contractor \_\_\_\_\_  
Architect \_\_\_\_\_

Note: Information subject to change without notice.



Jomar International Ltd.  
7243 Miller Drive  
Warren, MI 48092  
Phone: 800-325-5690  
Fax: 800-628-4194  
www.jomar.com

© Copyright 2006 Printed in U.S.A.  
T-100-SS-N  
0406

## System-6® Ball Valve



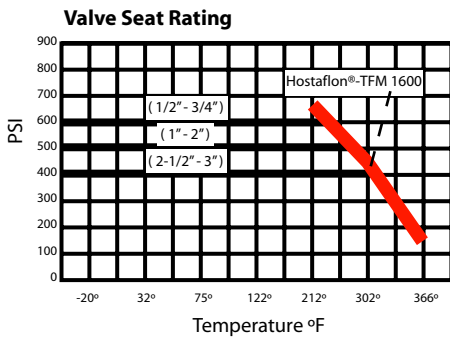
### Description

System 6® SuperBall™ - 1/4 turn, lever operated, hot forged brass ball valve with 316 stainless steel ball and stem. 100% full port. Blow-out proof two-piece design. Made in Italy. 100% tested.

### Dimensions in Inches

| Computer No.          | Valve Size | A    | B    | C    | D    | E    | F    | CV†    |
|-----------------------|------------|------|------|------|------|------|------|--------|
| <b>T-100-SS-N NPT</b> |            |      |      |      |      |      |      |        |
| 100-501               | 1/4"       | 1.81 | 0.91 | 1.41 | 0.39 | 0.25 | 2.95 | 11.84  |
| 100-502               | 3/8"       | 1.85 | 0.93 | 1.41 | 0.39 | 0.38 | 2.95 | 11.84  |
| 100-503               | 1/2"       | 2.48 | 1.24 | 1.53 | 0.59 | 0.50 | 2.95 | 20.25  |
| 100-504               | 3/4"       | 2.71 | 1.36 | 1.93 | 0.79 | 0.75 | 3.74 | 41.83  |
| 100-505               | 1"         | 3.30 | 1.65 | 2.40 | 1.00 | 1.00 | 4.72 | 78.38  |
| 100-506               | 1-1/4"     | 3.78 | 1.89 | 2.59 | 1.25 | 1.25 | 4.72 | 132.10 |
| 100-507               | 1-1/2"     | 4.17 | 2.09 | 3.22 | 1.57 | 1.50 | 5.90 | 206.96 |
| 100-508               | 2"         | 5.00 | 2.50 | 3.50 | 2.00 | 2.00 | 5.90 | 346.00 |
| 100-509               | 2-1/2"     | 6.06 | 3.03 | 4.72 | 2.48 | 2.50 | 7.87 | 484.39 |
| 100-510               | 3"         | 7.08 | 3.54 | 5.31 | 2.99 | 3.00 | 7.87 | 638.50 |

† The CV Factor is the gallons of water per minute passed through the valve with a 1 PSI pressure drop.



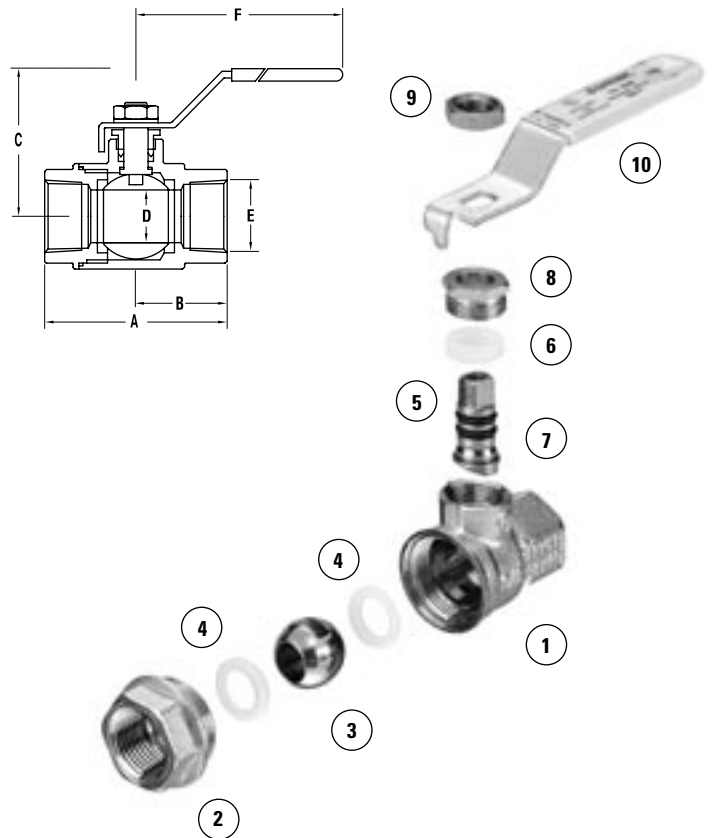
**WARNING: T/S-100-SSN valves are designed for temperature up to 366°F, utilizing low pressure steam at 150 WSP MAXIMUM**

### Material Specifications

| No. | Part Name     | Materials                       |
|-----|---------------|---------------------------------|
| 1   | Body          | Hot Forged Brass, TEA coated    |
| 2   | End Adapter   | Hot Forged Brass, Nickel Plated |
| 3   | Ball          | 316 Stainless Steel             |
| 4   | Seat          | Hostaflo®-TFM 1600              |
| 5   | Stem          | 316 Stainless Steel             |
| 6   | Packing       | Hostaflo®-TFM 1600              |
| 7   | O-Rings, (2)  | Viton®                          |
| 8   | Packing Gland | Extruded Brass, Nickel Plated   |
| 9   | Hexagonal Nut | Dacromet Coated Steel           |
| 10  | Handle        | Dacromet Coated Steel           |

### Pressure Rating

|             |                 |           |
|-------------|-----------------|-----------|
| 1/2" - 3/4" | 600 lbs. W.O.G. | Non Shock |
| 1" - 2"     | 500 lbs. W.O.G. | Non Shock |
| 2-1/2" - 3" | 400 lbs. W.O.G. | Non Shock |



Note: Information subject to change without notice.