

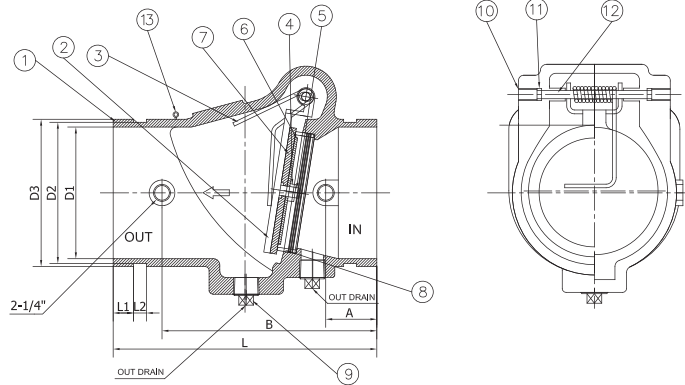
# Swing Check Valve | Grooved

## Technical Features

- **Connections:** Grooved Ends (AWWA C606)
- **Sizes:** 2", 2-1/2", 3", 4", 5", 6", 8", 10", 12"
- **Approvals:** UL, ULC, and FM
- **Maximum Working Pressure:** 300PSI (Max. Test Pressure: 600PSI)
- **Maximum Working Temperature:** 250°F (120°C)
- **Application:** Indoor and Outdoor Use
- Low pressure-drop, non-slam performance



Component	Material	Specification
1	Body	Ductile Iron ASTM A536 Nylon-11 Coated
2	Clapper	Stainless Steel ANSI 304
3	Coil Spring	Stainless Steel ANSI 302
4	Nut	Stainless Steel ANSI 304
5	Bolt	Stainless Steel ANSI 304
6	Washer	Stainless Steel ANSI 304
7	Facing Seal	Rubber EPDM
8	Seat Ring	Stainless Steel ANSI 304
9	Drain Plug	Ductile Iron ASTM A536
10	Pin Plug	Ductile Iron ASTM A536
11	Bushing	Aluminum Bronze B148
12	Hinge Pin	Stainless Steel ANSI 304
13	Hook	Steel ASTM A307



## Dimensions:

Size	L		D1		D2		B		C		H		Weight lbs
	in	mm	in	mm	in	mm	in	mm	in	mm	in	mm	
2"	6.7	171.0	2.3	57.2	2.4	60.3	0.3	7.9	0.6	15.9	3.2	80.3	8.0
2-1/2"	7.2	184.0	2.7	69.1	2.9	73.0	0.3	7.9	0.6	15.9	3.4	85.1	8.5
3"	7.8	197.0	3.3	84.9	3.5	88.9	0.3	7.9	0.6	15.9	3.7	93.0	10.5
4"	8.1	206.0	4.3	110.1	4.5	114.3	0.4	9.5	0.6	15.9	4.2	107.2	17.0
5"	9.8	247.7	5.4	137.0	5.6	141.3	0.4	9.5	0.6	15.9	4.6	117.3	22.0
6"	12.8	324.0	6.5	164.0	6.6	168.3	0.4	9.5	0.6	15.9	6.7	171.4	42.5
8"	14.6	370.8	8.4	214.4	8.6	219.1	0.4	11.1	0.8	19.1	7.9	201.9	66.5
10"	18.0	457.2	10.6	268.3	10.7	273.0	0.5	12.7	0.8	19.1	9.2	234.4	115.0
12"	21.1	534.9	12.5	318.3	12.8	323.9	0.5	12.7	0.8	19.1	10.5	266.7	166.5