

Category Swing Check Valve - BS1868-Specification



Cast Steel Swing Check Valve

Figure: DITEKSSCV

Didtek Cast steel Check Valves are manufactured to the latest edition of BS1868 and tested to API Standard 598.

Application & Function:

Didtek Cast steel swing check valve is used to prevent back flow in the line. Flow is in a straight line through the valve resulting in minimal pressure drop. The disc swings into the open position as the media flows through the line. Back pressure in the line holds the disc in the closed position.

Didtek Cast steel Swing check valves may be installed in horizontal or vertical lines, but must be installed in proper relation to the media flow as indicated by the flow direction arrow marked on the body.

Accessories:

Accessories such as bypasses, locking devices, counter weight and many others are available to meet the customers' requirements.

Applicable Standards:

- Check valve, BS1868
- Steel Valves, ASME B16.34
- Face to face ASME B16.10
- End Flanges ASME B16.5/ASME16.47
- Buttwelding ends ASME B16.25
- Inspection and test API 598

Pressure Range

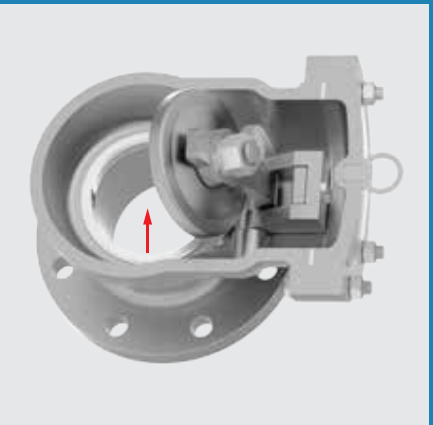
- ASME CL, 150, 300, 600, 900, 1500, 2500

Temperature Range:

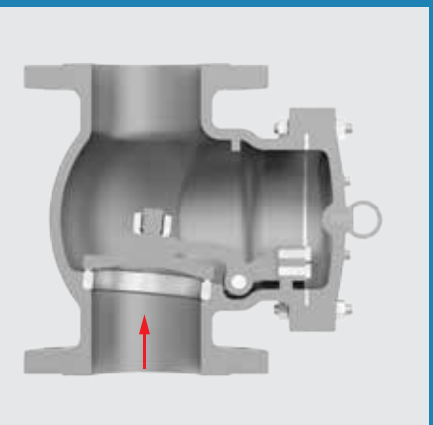
- -50 °C -650 °C

Size Range:

- 2" -36"



A105 seat ring is seal welded to provide tightly close off. Seat rings have 13%Cr or stainless overlay to provide increased resistance to wear, abrasion, erosion.

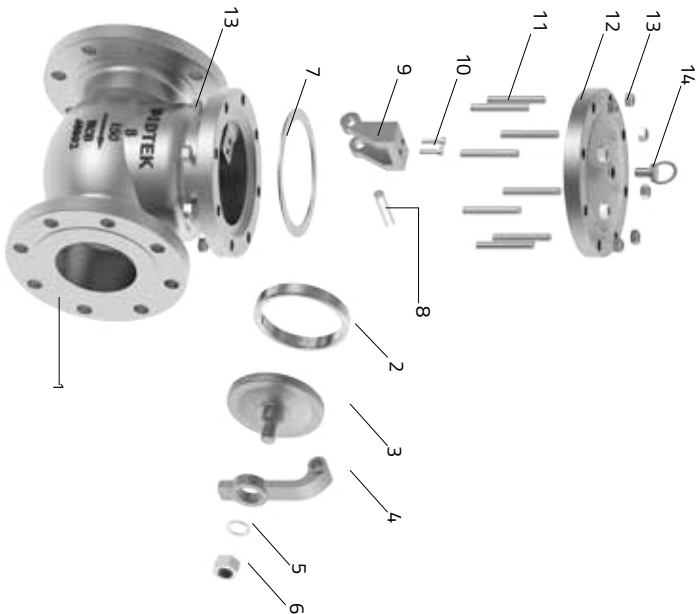


Disc is secured by welded disc nut to prevent disassembly due to vibration and closure impact. Disc to hanger connection allows for free disc movement to avoid localized wear.

Design Description:

- Outside Screw and York
- Bolted Bonnet and Pressure Seal
- Welding seat rings or Renewable seat rings
- Flange Ends
- Buttwelding Ends

Category Swing Check Valve - BS1868 - 3D Draw And Materials

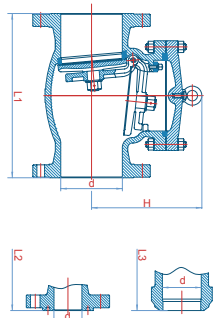


No.	Part Name	Carbon Steel to ASTM	Alloy Steel to ASTM				Stainless Steel to ASTM				No.
1	Body	A216 WCB A352 LCB	A217 WCI	A217 WC6	A217 WC9	A217 CS	A351 CF8	A351 CR8M	A351CF3	A351CF3M	1
2	Seat	A105+13Cr	F11/F22+STL				304	316	304L	316L	2
3	Disc	A216 WCB+13Cr A352 LCB+304	A217 WC1+STL	A217 WC6+STL	A217 WC9+STL	A217 C5+STL	A351 CF8	A351 CR8M	A351 CF3	A351 CF3M	3
4	Hinge	A216 WCB A352 LCB	A217 WCI	A217 WC6	A217 WC9	A217 CS	A351 CF8	A351 CR8M	A351 CF3	A351 CF3M	4
5	Disc Washer		AISI 1035				Stainless Steel				5
6	Disc Nut	A194 2H A194 4	A194 4	A194 4	A194 4	A194 4	A194 8	A194 8	A194 8	A194 8	6
7	Gasket		SS Spiral Wound W/graphite, or SS Spiral Wound W/PTFE, or Reinforced PTFE								7
8	Hinge pin	A182 F6a A182 F6a	A182 F6a	A182 F6a	A182 F6a	A182 F6a	A182 F304	A182 F316	A182 F304L	A182 F316L	8
9	Yoke	A216 WCB A352 LCB	A217 WCI	A217 WC6	A217 WC9	A217 C5	A351 CF8	A351 CR8M	A351CF3	A351CF3M	9
10	Yoke Bolt	A193 B7 A320 L7	A193 B16	A193 B16	A193 B16	A193 B16	A193 B8	A193 B8	A193 B8	A193 B8	10
11	Stud	A193 B7 A320 L7	A193 B16	A193 B16	A193 B16	A193 B16	A193 B8M	A193 B8M	A193 B8	A193 B8M	11
12	Bonnet	A216 WCB A352 LCB	A217 WCI	A217 WC6	A217 WC9	A217 C5	A351 CF8	A351 CR8M	A351CF3	A351CF3M	12
13	Nuts	A194 2H A194 4	A194 4	A194 4	A194 4	A194 4	A194 8	A194 8M	A194 8	A194 8M	13
14	Eye bolt		AISI 1035								14

Category Swing Check Valve - BS1868 - Swing Check Valve Picture

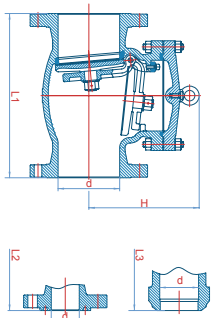


Category Swing Check Valve - BS1868 - Table Of Available Dimensions



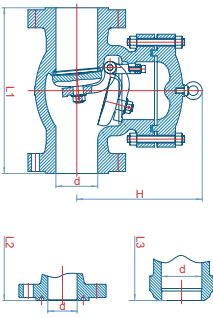
150LB

Valve Size	2"	2-1/2"	3"	4"	6"	8"	10"	12"	14"	16"	18"	20"	24"	26"	28"	30"	32"	36"
	50mm	203	216	241	292	356	495	622	698	787	864	978	978	1295	1295	1448	1524	1727
Face to Face L2:RTJ	216	229	254	305	368	508	635	711	800	876	991	991	1308	-	-	-	-	-
L3:BW	203	216	241	292	356	495	622	698	787	864	978	978	1295	1295	1448	1524	1727	1956
Valve Bore (d)	51	64	76	102	152	203	254	303	337	387	438	489	591	633	684	735	779	874
Valve Height(H)	138	160	172	245	280	347	390	435	465	525	580	615	710	840	920	980	1016	1092
Weight(kg)	14	19	24	43	72	124	196	330	417	503	630	791	960	1250	1580	1950	2800	3200



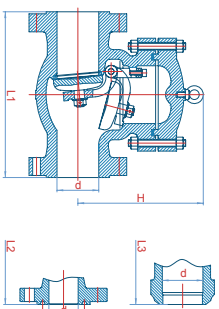
300LB

Valve Size	2"	2-1/2"	3"	4"	6"	8"	10"	12"	14"	16"	18"	20"	24"	26"	28"	30"	32"	36"
	50mm	267	292	318	356	444	533	622	711	838	864	978	1016	1346	1346	1499	1594	1727
Face to Face L2:RTJ	283	308	333	371	460	549	638	727	854	879	994	1035	1368	1372	1524	1619	-	-
L3:BW	267	292	318	356	444	533	622	711	838	864	978	1016	1346	1346	1499	1594	1727	2083
Valve Bore (d)	51	64	76	102	152	203	254	303	337	387	432	483	584	633	684	735	779	874
Valve Height(H)	150	178	223	255	310	355	445	485	515	560	620	685	760	850	920	1150	1260	1390
Weight(kg)	22	35	44	57	120	194	290	450	587	761	1030	1191	1892	2300	2600	3200	3700	4300

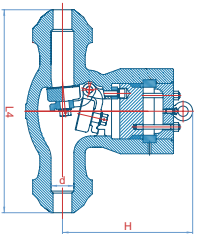
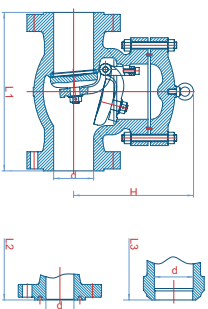


600LB

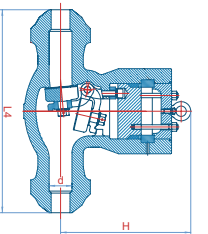
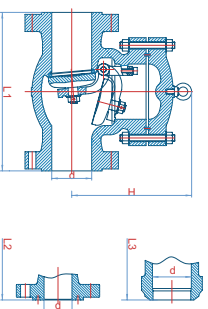
Valve Size	2"	2-1/2"	3"	4"	6"	8"	10"	12"	14"	16"	18"	20"	24"
	50mm	292	330	356	432	559	660	787	838	889	991	1092	1194
Face to Face L2:RTJ	295	333	359	435	562	663	790	841	892	994	1095	1200	1407
L3:BW	292	330	356	432	559	660	787	838	889	991	1092	1194	1397
Valve Bore (d)	51	64	76	102	152	200	248	298	327	375	419	464	559
Valve Height(H)	170	178	225	275	385	445	500	570	590	650	778	970	1100
Weight(kg)	26	35	59	99	208	357	561	752	889	1285	1800	2150	3200

Category Swing Check Valve - BS 1868 - Table Of Available Dimensions
900LB


Valve Size	2"		2-1/2"		3"		4"		6"		8"		10"		12"		14"		16"		18"		20"		24"	
	50mm	65mm	80mm	100mm	150mm	200mm	250mm	300mm	350mm	400mm	450mm	500mm	600mm													
L1:RF	368	419	381	457	610	737	838	965	1029	1130	1219	1321	1549													
L2:RTI	371	422	384	460	613	740	841	968	1038	1140	1232	1334	1568													
L3:BW	368	419	381	457	610	737	838	965	1029	1130	1219	1321	1549													
Valve Bore (D)	51	64	73	98	146	190	238	283	311	356	400	444	533													
Valve Height(H)	170	178	225	275	385	445	500	570	590	650	728	970	1100													
Weight(kg)	67	75	102	134	354	514	754	818	1180	1939	2500	2960	4600													

1500LB


Valve Size	2"		2-1/2"		3"		4"		6"		8"		10"		12"		14"		16"		18"		20"	
	50mm	65mm	80mm	100mm	150mm	200mm	250mm	300mm	350mm	400mm	450mm	500mm												
L1:RF	368	419	470	546	705	832	991	1130	1257	1384	1537	1664												
L2:RTI	371	422	473	549	711	841	1000	1146	1276	1407	1559	1686												
L3:BW(BB)	368	419	470	546	705	832	991	1130	1257	1384	1537	1664												
L4:BW(PSB)	216	254	305	406	559	711	864	991	1067	1194	-	-												
Valve Bore (D)	48	57	70	92	137	178	222	264	289	330	371	416												
Valve Height(H)	265	240	303	340	430	500	605	785	830	950	1080	1145												
Weight(kg)	72	75	188	210	473	634	1140	1939	200	2700	3960	4400												

2500LB


Valve Size	2"		2-1/2"		3"		4"		6"		8"		10"		12"	
	50mm	65mm	80mm	100mm	150mm	200mm	250mm	300mm	350mm	400mm	450mm	500mm				
L1:RF	451	508	578	673	914	1022	1270	1422	1549	1664	1779	1894				
L2:RTI	454	514	584	683	927	1038	1292	1445	1572	1686	1800	1914				
L3:BW(BB)	451	508	578	673	914	1022	1270	1422	1549	1664	1779	1894				
L4:BW(PSB)	279	330	368	457	610	762	914	1041	1168	1294	1421	1548				
Valve Bore (D)	38	48	57	73	111	146	184	219	254	289	324	359				
Valve Height(H)	285	305	350	410	540	620	705	855	935	1020	1105	1250				
Weight(kg)	93	100	196	210	473	634	1140	1939	200	2700	3960	4400				