



Size		Dimensions "A"			Inner Box pcs./Box	Master Ctn pcs./Ctn	NO.of Inner Box	Weight /Pcs.
Inch	mm	A	B	C ID				
1/4X1/8	8x4	13.2	3.8	-	120	1440	12	0.0110
3/8X1/8	10x4	12.2	4.1	-	75	900	12	0.0170
3/8X1/4	10x8	12.2	4.1	-	75	900	12	0.0190
1/2X1/8	15x4	16.4	4.8	-	100	1200	12	0.0435
1/2X1/4	15x8	14.2	4.8	-	100	1200	12	0.0340
1/2X3/8	15x10	14.2	4.8	-	100	1200	12	0.0300
3/4X1/8	20x4	16.0	5.6	-	50	600	12	0.0750
3/4X1/4	20x8	16.0	5.6	-	50	600	12	0.0730
3/4X3/8	20x10	16.0	5.6	-	50	600	12	0.0650
3/4X1/2	20x15	18.0	5.6	-	50	600	12	0.0450
1X1/8	25x8	19.1	9.6	28.5	50	400	8	0.0960
1X1/4	25x10	19.1	9.6	28.5	50	400	8	0.0860
1X3/8	25x15	19.1	9.6	28.5	50	400	8	0.1080
1X1/2	25x20	21.6	6.4	-	50	400	8	0.0944
1X3/4	32x8	21.6	6.4	-	50	400	8	0.0780
1 1/4X1/4	32x10	22.8	8.6	28.5	30	240	8	0.1390
1 1/4X3/8	32x20	22.8	8.6	28.5	30	240	8	0.1960
1 1/4X1/2	32x25	22.8	8.6	31.5	30	240	8	0.1320
1 1/4X3/4	40x10	20.3	7.1	-	30	240	8	0.1610
1 1/4X1	40x20	22.3	7.1	-	30	240	8	0.1330
1 1/2X1/8	40x20	23.6	9.4	28.5	25	150	6	0.2950
1 1/2X1/4	40x25	23.6	9.4	28.5	25	150	6	0.2930
1 1/2X3/8	40x32	23.6	9.4	28.5	25	150	6	0.2900
1 1/2X1/2	50x10	23.6	9.4	34	25	150	6	0.1800
1 1/2X3/4	50x15	23.6	9.4	36.5	25	150	6	0.1750
1 1/2X1	50x20	23.3	7.9	28.5	25	150	6	0.2100
1 1/2X1 1/4	50x25	23.3	7.9	28.5	25	150	6	0.1460
2X1/4	50x32	21.8	10.6	34.0	20	120	6	0.2770
2X3/8	50x40	22.4	10.0	28.5	20	120	6	0.4300
2X1/2	65x15	24.9	10.4	34	20	120	6	0.3800
2X3/4	65x20	24.9	10.4	41.4	20	120	6	0.2860
2X1	65x25	24.9	10.4	45	20	120	6	0.3040
2X1 1/4	65x32	27.0	11.0	-	20	120	6	0.3320
2X1 1/2	65x40	25.0	11.0	-	20	120	6	0.3198
2 1/2X1/2	65x50	27.2	11.2	34.0	15	60	4	0.7130
2 1/2X3/4	80x15	27.2	11.2	41.4	15	60	4	0.7000
2 1/2X1	80x20	27.2	11.2	49.5	15	60	4	0.6870
2 1/2X1 1/4	80x25	27.2	11.2	60.7	15	60	4	0.6420
2 1/2X1 1/2	80x32	27.2	11.2	-	15	60	4	0.6240
2 1/2X2	80x40	29.7	9.4	-	15	60	4	0.5034
3X1/2	80x50	28.7	12.2	34	12	48	4	10.100
3X3/4	80x65	32	12.2	41.4	12	48	4	10.360
3X1	100x15	32	12.2	49.5	12	48	4	0.6650
3X1 1/4	100x20	32	12.2	60.7	12	48	4	10.100
3X1 1/2	100x25	32	12.2	68.1	12	48	4	0.8900
3X2	100x32	38	12.2	-	12	48	4	0.8700

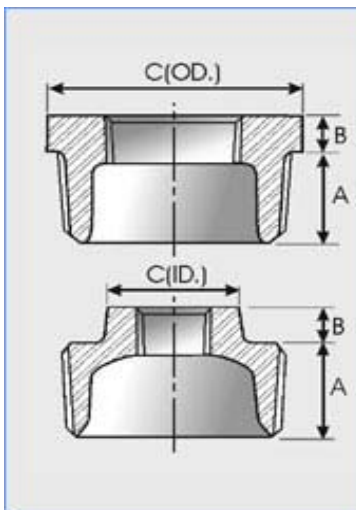


**SIAM FITTINGS CO., LTD.**

Manufacturer and Exporter of  
Malleable Iron Pipe Fittings & Bronze Pipe Fittings



Size		Dimensions "A" mm			Inner Box pcs./Box	Master Ctn pcs./Ctn	NO. of Inner Box	Weight /Pcs.
Inch	mm	A	B	C ID				
3X2 1/2	100x40	38	10.2	-	12	48	4	33
3 1/2X1 1/2	100x50	34	13.2	68.1	8	32	4	32
3 1/2X3	100x65	40	10.9	-	8	32	4	26
4X1/2	100x80	37.8	14.2	49.5	5	20	4	33
4X3/4	125x80	38	13	60.7	5	20	4	30
4X1	125x100	35	15.2	68.1	5	20	4	23
4X1 1/4	150x15	35	15.2	83.3	5	20	4	33
4X1 1/2	150x50	35	15.2	98.0	5	20	4	36
4X2	150x65	36	15.2	-	5	20	4	26
4X2 1/2	150x80	35	15.2	83.3	5	20	4	25
4X3	150x100	41	14.0	117.3	5	20	4	28
5X2	150x125	38	15.2	-	2	8	4	23
5X3	15x15x20	42.5	15.5	83.3	2	8	4	20
5X4	15x15x25	44	15.5	98	2	8	4	17
6X2	20x15x15	40	19.1	117.3	2	8	4	36
6X2 1/2	20x15x20	40	19.1	147.1	2	8	4	31
6X3	20x15x25	40	19.1	-	2	8	4	20
6X4	20x20x25	40	19.1	-	2	8	4	21
6X5	20x20x32	46	19.1	-	2	8	4	25



Bushing / Clase 150

