

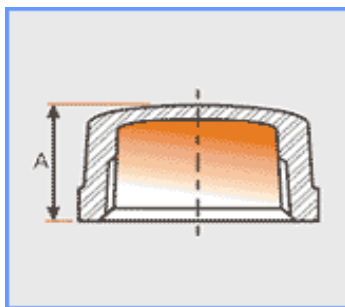


**SIAM FITTINGS CO., LTD.**

Manufacturer and Exporter of  
Malleable Iron Pipe Fittings & Bronze Pipe Fittings



Size		Dimensions "A"		Inner Box	Master Ctn	NO.of	Weight
Inch	mm	mm	mm	pcs./Box	pcs./Ctn	Inner Box	/Pcs.
1/8	4	13.5		120	1440	12	24
1/4	8	16.0		80	960	12	25
3/8	10	18.8		60	720	12	27
1/2	15	22.1		50	600	12	34
3/4	20	24.6		40	320	8	31
1	25	29.5		25	200	8	34
1 1/4	32	32.5		20	160	8	36
1 1/2	40	33.8		18	108	6	32
2	50	36.8		12	72	6	33
2 1/2	65	43.2		28	56	2	37
3	80	45.7		18	36	2	36
4	100	52.8		7	21	3	36
5	125	58.9		8	16	2	38
6	150	64.8		4	8	2	32



Tapa / Clase 150

