



**SA**  
S.A. BRAND



SIAM FITTINGS CO., LTD.  
REGISTERED PART  
10 002 410748

**SIAM FITTINGS CO., LTD.**

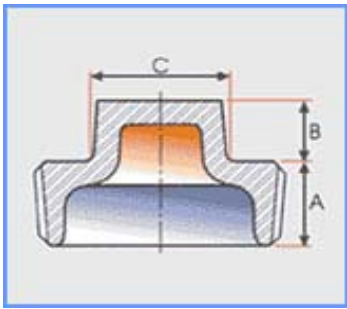
Manufacturer and Exporter of  
Malleable Iron Pipe Fittings & Bronze Pipe Fittings



THAILAND  
Land of Smiles & Relaxation



Size		Dimensions "A" (mm)			Inner Box pcs./Box	Master Ctn pcs./Ctn	NO.of Inner Box	Weight /Pcs.
Inch	mm	A	B	C				
1/8	4	9.8	6.1	7.1	300	3600	12	0.0070
1/4	8	11.6	7.1	9.5	150	1.800	12	0.0132
3/8	10	11.5	8.0	11.0	100	1.200	12	0.0230
1/2	15	14.7	9.7	13.3	50	600	12	0.0390
3/4	20	16.5	11.2	14.9	30	360	12	0.0600
1	25	19.1	12.7	19.5	20	240	12	0.1000
1 1/4	32	20.9	14.2	32.6	40	240	6	0.1810
1 1/2	40	21.7	15.8	27.4	30	180	6	0.2096
2	50	23.2	17.1	32.1	20	120	6	0.3360
2 1/2	65	32.0	18.0	41.0	16	64	4	0.5650
3	80	29.4	20.3	42.8	16	48	3	0.7680
4	100	40.0	22.0	58.0	8	16	2	12.274
5	125	33.3	25.4	-	6	12	2	20.900
6	150	35.6	28.0	79.0	5	10	2	31.356



Tapón / Clase 150

