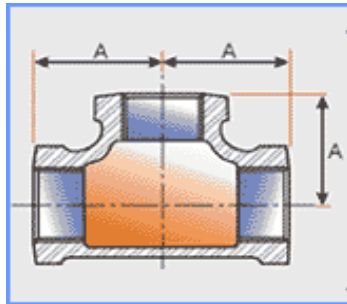




SIAM FITTINGS CO., LTD.

Manufacturer and Exporter of
Malleable Iron Pipe Fittings & Bronze Pipe Fittings



Tee / Class 150



Size		Dimensions "A"	Inner Box pcs./Box	Master Ctn pcs./Ctn	NO.of Inner Box	Weight /Pcs.
Inch	mm					
1/4	8	20.6	50	600	12	44
3/8	10	24.1	30	360	12	40
1/2	5	28.5	40	240	6	38
3/4	20	33.3	35	140	4	35
1	25	38.1	20	80	4	31
1 1/4	32	44.5	14	56	4	35
1 1/2	40	49.3	15	45	3	36
2	50	57.2	10	30	3	35
2 1/2	65	68.6	8	16	2	27
3	80	78.2	6	12	2	35
4	100	96.3	2	6	3	32